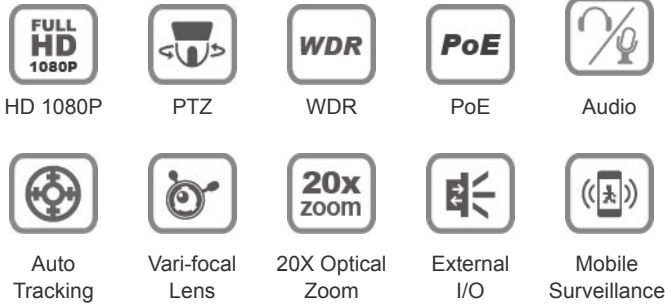


AVM583



2MP 20X PTZ IP Camera

FEATURES

- Zoom lens of f4.7 ~ 94mm with **20x optical zoom, 16x digital zoom and auto focus**, suitable for various monitoring environments
- **PTZ control** for seamless monitoring:
 - Capable of **360° pan rotation continuously** and 180° tilt movement, allowing quick and smooth action of the camera lens
 - **Auto Tracking** to follow moving objects
 - **Hot Point** support to quickly move the camera to the specified point remotely
 - Up to **16 preset points & four sequence groups** programmable for multiple points monitoring, and **auto pan**

- MicroSD card support (up to 64GB) for **video storage**
- **External alarm I/O device** connection



- **POE (Power-over-Ethernet)** support to eliminate the use of power cables and reduce installation costs
- **ONVIF** (**ONVIFS**) standard supported to simplify system integration
- **WDR** to increase image recognizability in overexposure and dark areas



- **Remote Surveillance**
 - **Fully compatible** with **iOS** and **Android** devices, and **Internet Explorer** on Windows operating system
 - **Push Video** available on your iOS and Android devices when used with Push Video NVR series



○ SPECIFICATIONS

■ Network	
LAN Port	YES
LAN Speed	10/100 Based-T Ethernet
Supported Protocols	DDNS, PPPoE, DHCP, NTP, SNTP, TCP/IP, ICMP, SMTP, FTP, HTTP, RTP, RTSP, RTCP, IPv4, Bonjour, UPnP, DNS, UDP, IGMP, QoS, IEEE802.1X, SNMP
ONVIF Compatible	YES (Profile S)
Number of Online Users	10
Security	(1) Multiple user access levels with password (2) IP address filtering (3) Digest authentication
Remote Access	(1) Internet Explorer on Windows operating system (2) 16CH Video Viewer on Windows & MAC operating system (3) EagleEyes on iPhone, iPad & Android mobile devices
■ Video	
Network Compression	H.264 (Main Profile) / MJPEG
Video Resolution	1920 x 1080 / 1280 x 720 / 720 x 480 / 352 x 240
Frame Rate	30 fps
Multiple Video Streaming	4 (H.264, MJPEG)
Bitrate Control	SVBR control (VBR + Max bitrate)
■ General	
Image Sensor	1/2.8" Sony CMOS image sensor
Min Illumination	0.1 Lux / F1.6
Shutter Speed	1 / 60 (1/50) to 1 / 100,000 sec.
S/N Ratio	More than 48dB (AGC off)
Lens	f4.7 ~ 94mm / F1.6 (Wide) ~ 3.5(Tele), auto focus
Viewing Angle	1X: 60.8° (Horizontal) / 35.3° (Vertical) / 68.3° (Diagonal) 20X: 3.4° (Horizontal) / 1.9° (Vertical) / 3.8° (Diagonal)
White Balance	Auto / 2500K / 3200K / 4200K / 5800K / 9500K
AGC	YES
IRIS Mode	YES
Sharpness	YES
WDR	YES
POE	YES (IEEE 802.3af)
External Alarm I/O	YES (1 input / 1 output)
MicroSD Card Slot	YES (up to 64GB)
Heater	Optional
IP Rating (weather-proof)	IP66
Operating Temperature	-20°C ~ 40°C
Power Source (±10%)	DC12V, 1.5A
Current consumption (±10%)	800mA
Power Consumption (±10%)	PoE / PoN: 11.5W; DC Adapter: 9.6W
Dimensions (mm)	300(H) x 220(D) (without bracket)



○ SPECIFICATIONS (CONTINUED)

■ Audio	
Line in	YES
Line out	YES
■ PTZ Mechanism	
Pan Range	360° continuous rotation
Max. Pan Speed	180°/s
Tilt Range	180°
Max. Tilt Speed	100°/s
Zoom Ratio	20X Optical Zoom
Max. Zoom Speed	Approx. 3s (Tele ~ Wide)
Preset Points	Up to 16 preset points
Sequence Group	<ol style="list-style-type: none"> Up to four groups can be set One group can include up to 16 preset points
Home Position	YES
Auto Tracking	YES
Resume after Power Loss	YES
■ Others	
Mobile Surveillance	iOS & Android
Event Notification	FTP / Email / SMS
Digital Pan / Tilt / Zoom	YES
Reset Default	YES
Motion Detection	YES
RTC (real-time clock)	YES
Minimum Web Browsing Requirements	<ul style="list-style-type: none"> Intel core i3 or higher, or equivalent AMD 2GB RAM AGP graphics card, Direct Draw, 32MB RAM Windows 8, Windows 7, Windows Vista & Windows XP, DirectX 9.0 or later Internet Explorer 7.x or later

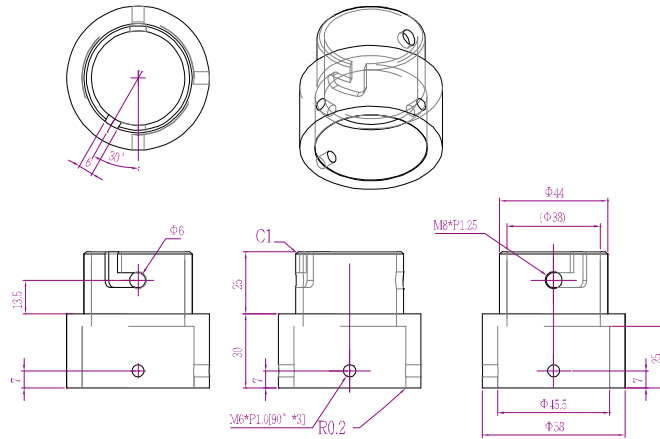
*The specifications are subject to change without notice.



OPTIONAL PERIPHERALS

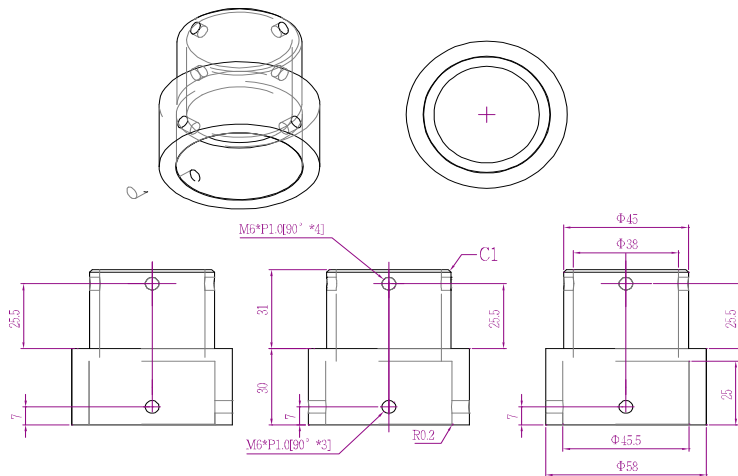
PTZCON3

Used for AVM583 as a connector to connect specific optional brackets.



PTZCON2

Used for AVM583 as a connector to connect optional brackets, such as brackets from Panasonic.



PTZCON1

Used for AVM583 as a connector to connect optional brackets, such as brackets from Pelco.

