

Definition of Connection

Long-range Reader

1. Power:

+12V(twin-core): Red(Thick)

GND (twin-core):Black(Thick)

2. Wiegand:

Wiegand 0: Purple

Wiegand 1: Light Blue

GND: Light Brown

3. Trigger:

Trigger: Orange

GND: Light Brown

4. RS232:

232(RX): Blue

232(TX): Grey

GND: Black

5. RS485:

485+: White

485-: Light Gray

GND: Light Brown

Please make sure all connections are correct before Power on!

Packing List

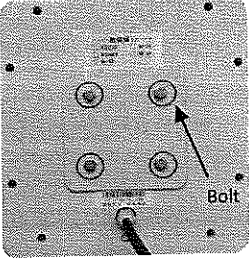
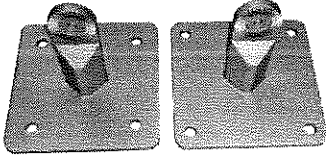

Long-range Reader

1	Reader	1 Pce
2	RS232 Cable	1 Pce
3	Definition of Connection	1 Pce
4	Packing List	1 Pce
5	Chucking	1 Pce

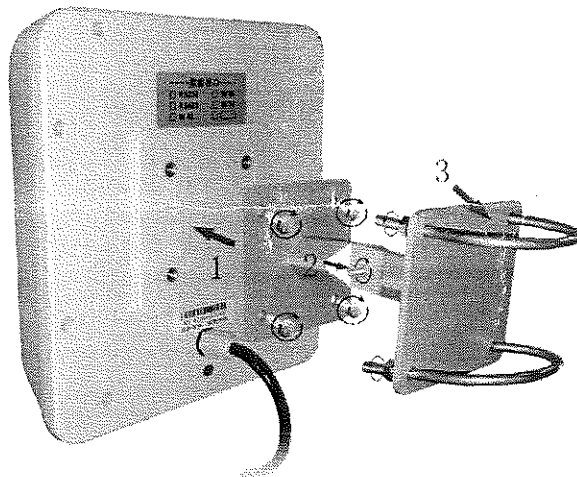
Please check all component on the package before using!

Reader Installation Instruction

1、 The three accessories which are used for the installation

		
<p>Part 1: Reader Include: $\phi 6*10\text{mm}$ bolt*4</p>	<p>Part 2: Fixing bracket*2 Include: $\phi 5*20\text{mm}$ bolt*1 $\phi 5$ nut*1 $\phi 5$ flat washer*1 $\phi 5$ spring washer*1</p>	<p>Part 3: Type-U bracket*2 Include: $\phi 5$ nut *4 $\phi 5$ flat washer *4 $\phi 5$ spring washer*4</p>

2、 The diagram of how to install the Reader :



3、 The finished diagram of installation:

